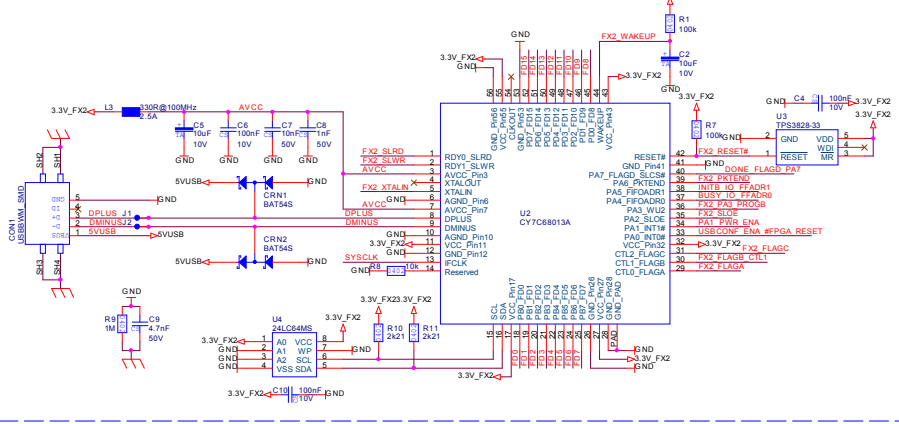
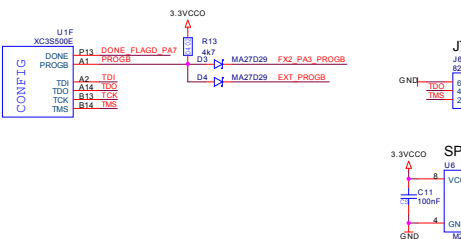


USB 2.0

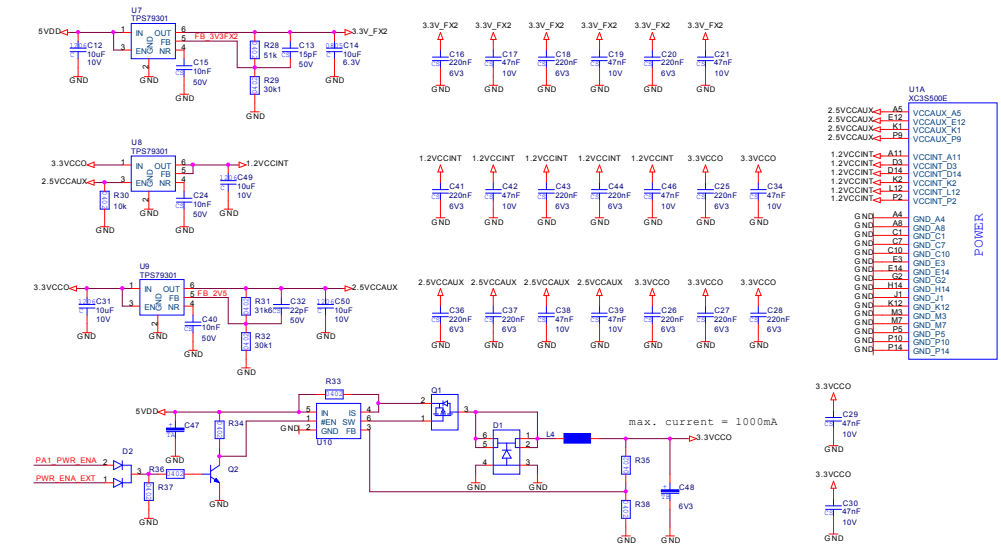


CONFIGURATION

some confidential information removed here .....



POWER



FPGA I/O

